

# Ethernet Over Coaxial Converter Kit 10/100Mbps

## ITEM NO.: 15-EOC101K

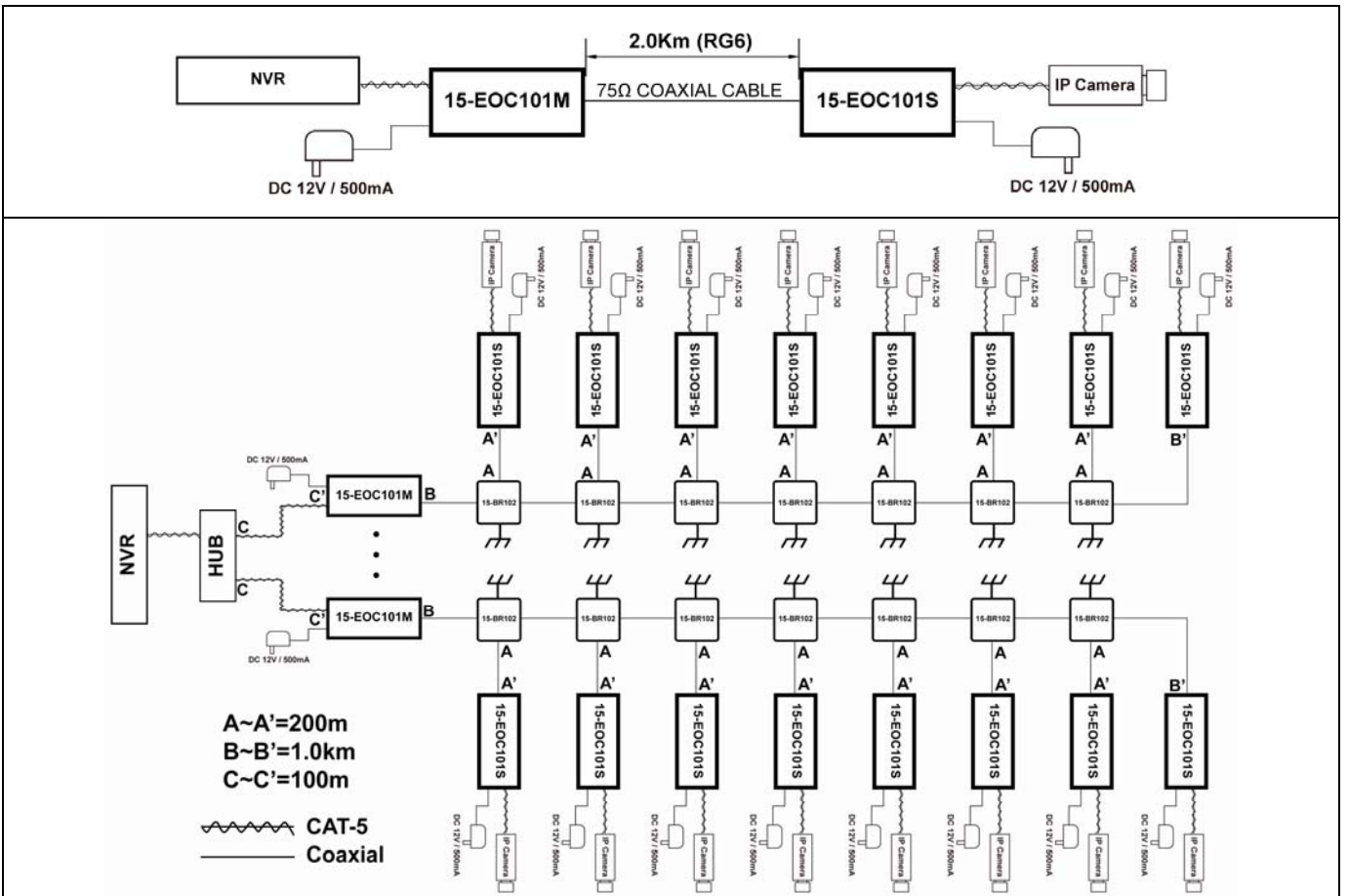
### Description:

The 15-EOC101K Ethernet over Coaxial (EoC) Transceiver is a compact media converter that allows 10/100 BaseT Ethernet to be transmitted via coaxial cable. They are often used in legacy installations where existing cable is re-deployed as part of an upgrade to IP cameras. One 15-EOC101M which distributes it to multiple 15-EOC101S, These transceivers are extremely simple to use, with no IP or MAC addressing required. Status LEDs indicate power and link connectivity/activity for RJ45 and BNC ports.

### FEATURE :

- One EoC transceiver at the network-end can support multiple remote transceivers/IP cameras using the 15-EOC101S adaptor/Receiver.
- Transmit 10/100 Full Duplex Ethernet up to 2,000m or more over RG-6/U Full-duplex digital communications
- Easy configuration, no PC required, plug & play for installing
- Supports IP and megapixel camera or other 10/100 IP devices.
- One “15-EOC 101M” can support up to 8 “15-EOC101S”
- Support HTTP for network management
- Dimension: 101WX61HX36.4D mm (3.98”x2.4”x1.43”)
- Weight: 185g (6.53oz) (15-EOC101M / 15-EOC101S )

### Installation View:



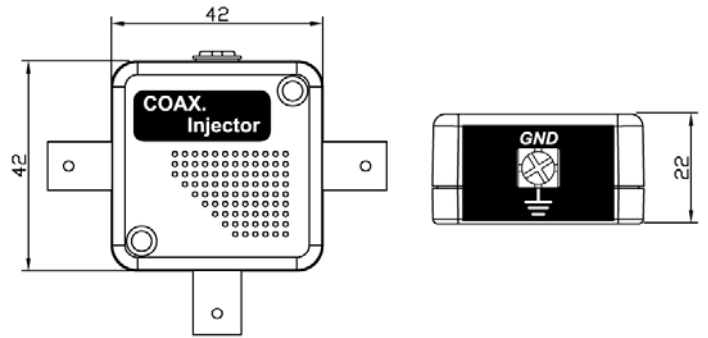
**<OPTION>**

**ITEM NO.: 15-BR102B**

**1 In 2 Out Ethernet Over Coaxial Splitter**

**Features**

- 3 BNC input or output
- Supports EOC (Ethernet over COAX) series. (15-EOC101K , 15-EOC104K...etc)
- Supports EOC and EOC with power
- DC to 100MHz band width
- Built in 6KV surge protection
- Dimension : 42W x 42H x 22D (mm)  
(1.65" x 1.65" x 0.87" )
- Weight : 40 g (1.4oz)



THIS DEVICE COMPLIES WITH PART 15 OF THE FCC RULES. OPERATIONS IS SUBJECT TO THE FOLLOWING TWO CONDITIONS:(1) THIS DEVICE MAY NOT CAUSE HARMFUL INTERFERENCE AND (2) THIS DEVICE MUST ACCEPT ANY INTERFERENCE RECEIVED. INCLUDING INTERFERENCE THAT MAY CAUSE UNDESIRABLE OPERATION.



VER:20130918