

Ethernet Over Coaxial Converter Kit 10/100Mbps

ITEM NO.: 15-EOC104K

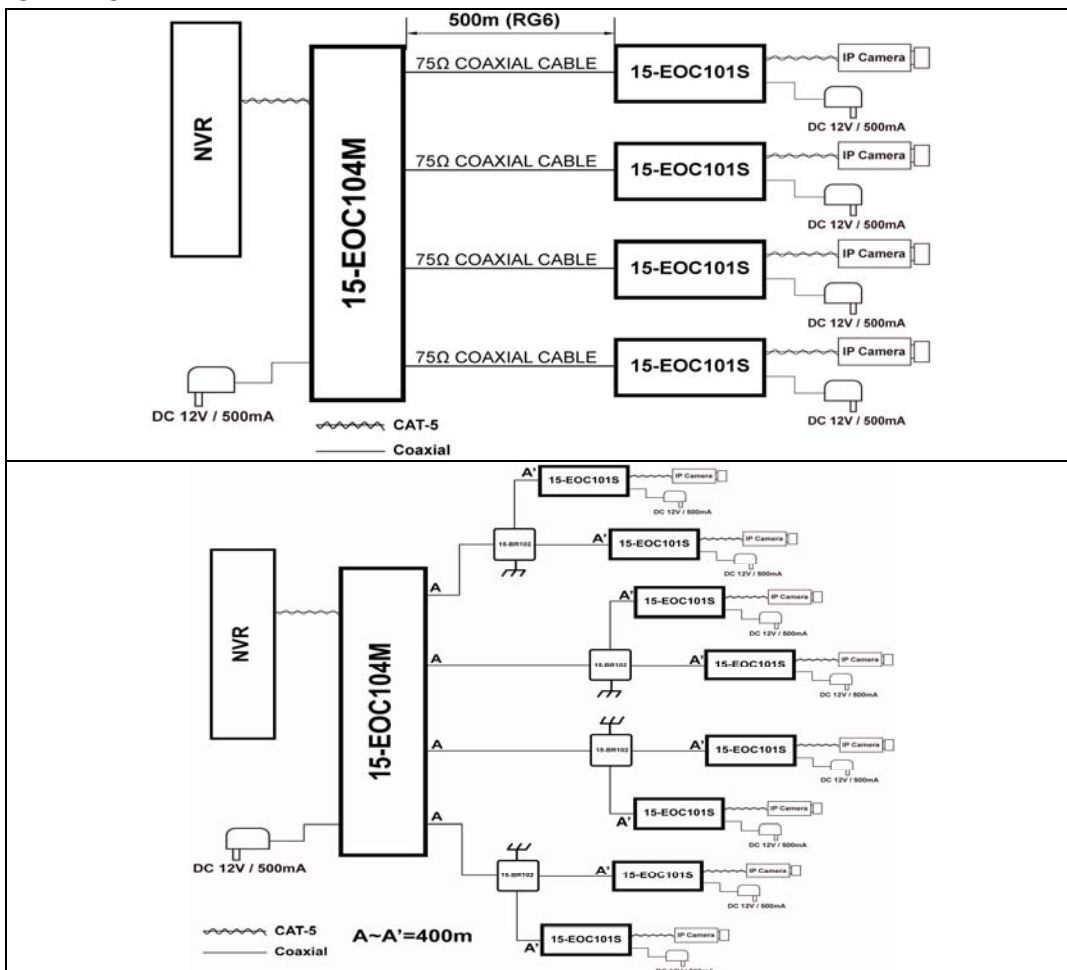
Description:

The 15-EOC104K Ethernet over Coaxial (EoC) Transceiver is a compact media converter that allows 10/100 BaseT Ethernet to be transmitted via coaxial cable. They are often used in legacy installations where existing cable is re-deployed as part of an upgrade to IP cameras. One 15-EOC104M which distributes it to multiple 15-EOC101S, These transceivers are extremely simple to use, with no IP or MAC addressing required. Status LEDs indicate power and link connectivity/activity for RJ45 and BNC ports.

FEATURE :

- 4CH Ethernet over COAX receiver
- Long distance extend up to 500M each channel
- Easy configuration, no PC required
- Supports IP and megapixel camera or other 10/100 IP devices.
- Support HTTP for network management
- Support up to 8H "15-EOC101S"
- Dimension : 145W x 32.2H x 150 D (mm) (5.9"x5.71"x1.27") (15-EOC104M)
61W x 36.4H x 101D (mm) (3.98"x2.4"x1.43") (15-EOC101S)
- Weight : 415g (14.6oz) (15-EOC104M)
185g (6.53oz) (15-EOC101S)

Installation View:



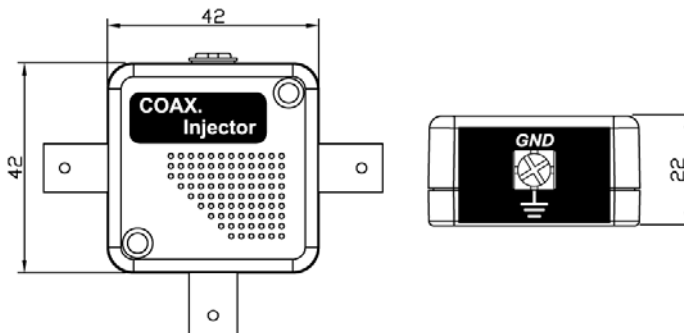
<OPTION>

ITEM NO.: 15-BR102B

1 In 2 Out Ethernet Over Coaxial Splitter

Features

- 3 BNC input or output
- Supports EOC (Ethernet over COAX) series. (15-EOC101K , 15-EOC104K...etc)
- Supports EOC and EOC with power
- DC to 100MHz band width
- Built in 6KV surge protection
- Dimension : 42W x 42H x 22D (mm)
(1.65" x 1.65" x 0.87")
- Weight : 40 g (1.4oz)



THIS DEVICE COMPLIES WITH PART 15 OF THE FCC RULES. OPERATIONS IS SUBJECT TO THE FOLLOWING TWO CONDITIONS:(1) THIS DEVICE MAY NOT CAUSE HARMFUL INTERFERENCE AND (2) THIS DEVICE MUST ACCEPT ANY INTERFERENCE RECEIVED. INCLUDING INTERFERENCE THAT MAY CAUSE UNDESIRABLE OPERATION.



VER:2013/12/12