

TVR1020HDDCIR

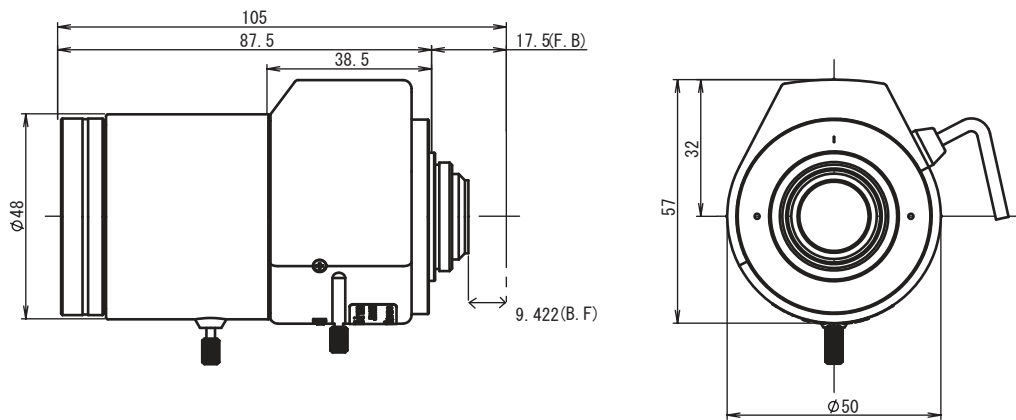
► SPECIFICATIONS

Format size	1/1.8inch (ϕ 9mm:7.2x5.4mm)	Operation	
Focal Length	10-50mm	Zoom	Manual
Maximum Relative Aperture	1: 2.0	Focus	Manual
Iris	2.0-360	Iris	DC-Iris
Zoom Ratio	5x	Operation Temperature	-10°C ~ +50°C
Field of View	40.53° x30.20° (10mm)	Mount	C-Mount
	8.49° x6.37° (50mm)	Size, Weight	ϕ 50x57x87.5mm
M.O.D.	0.3m -1.0m		
Flange Back	17.526mm		
Back Focal Length	9.4-11.6mm		

► FEATURES

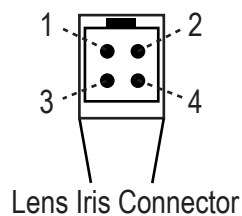
- 3.0Mega Pixel
- IR-Correction Day/Night
- Non F-Drop

► DIMENSIONS



Unit:mm

► WIRING



1	Control -
2	Control +
3	Drive +
4	Drive -